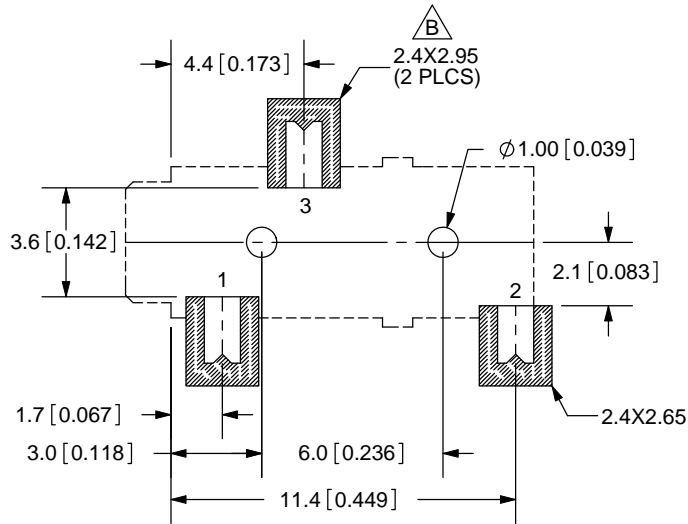
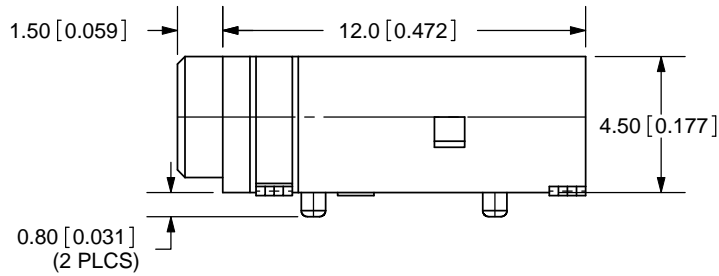
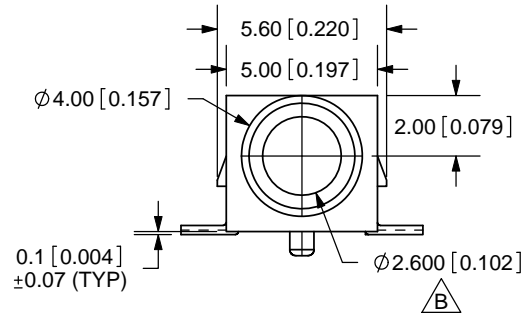
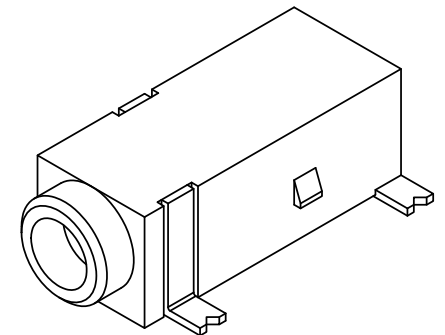
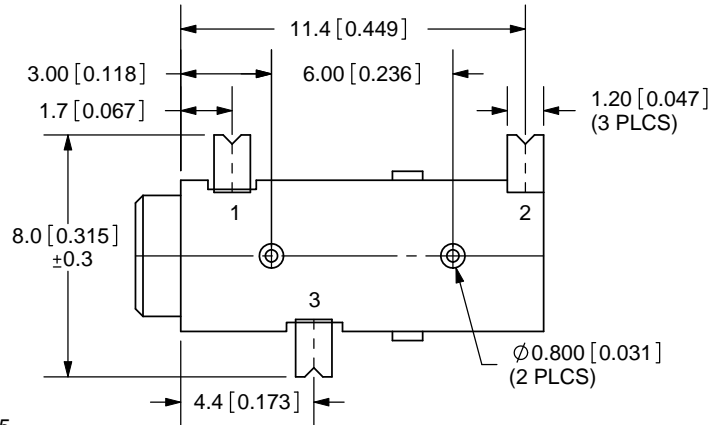


REV.	DESCRIPTION	DATE
A	NEW DRAWING	11/9/2005
B	dimension updates	6/10/2010



PCB LAYOUT  
TOP VIEW



TOLERANCE:  
X.X ±0.2mm  
X.XX ±0.1mm  
X.XXX ±0.05mm



MODEL NO.	SJ-2523-SMT
SCHMATIC	

**SPECIFICATIONS:**  
 CONTACT RESISTANCE: 30m OHMS MAX  
 INSULATION RESISTANCE: 50M OHMS MIN: 500V DC  
 VOLTAGE WITHSTAND: 500V AC R.M.S. FOR 1 MINUTE  
 LIFE: 5,000 CYCLES

TERMINAL 1	MATERIAL	PLATING	TITLE:	REV:
TERMINAL 1	Copper Alloy	Silver	2.5mm SURFACE MOUNT AUDIO JACK-STEREO	B
TERMINAL 2	Copper Alloy	Silver	PART NO.	UNITS:
TERMINAL 3	Copper Alloy	Silver	SJ-2523-SMT	MM [INCHES]
HOUSING	PA6T		DRAWN BY:	APPROVED BY:
			ZRJ	SCALE:
				4:1



20050 SW 112th Ave.  
 Tualatin, OR 97062  
 Phone: 503-612-2300  
 800-275-4899  
 Fax: 503-612-2383  
 Website: www.cui.com

PC FILE NAME:  
SJ-2523-SMT

COPYRIGHT 2010 BY CUI INC.